

KTSL7209S



www.kontakledlight.com

简述

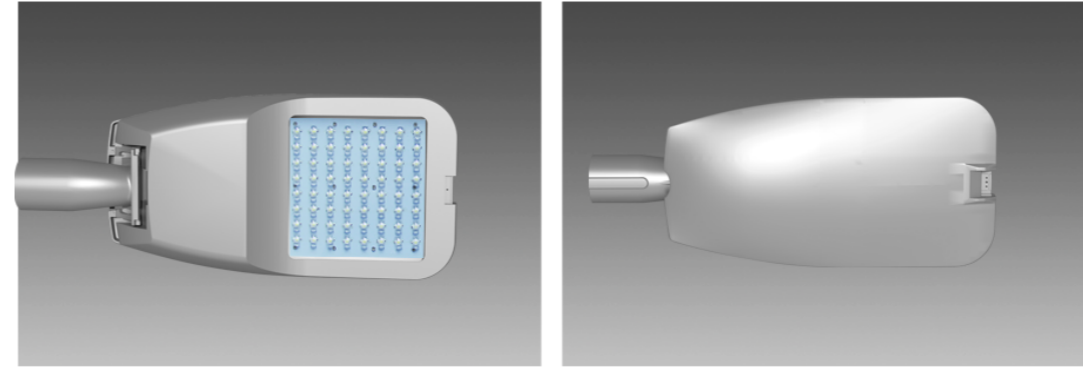
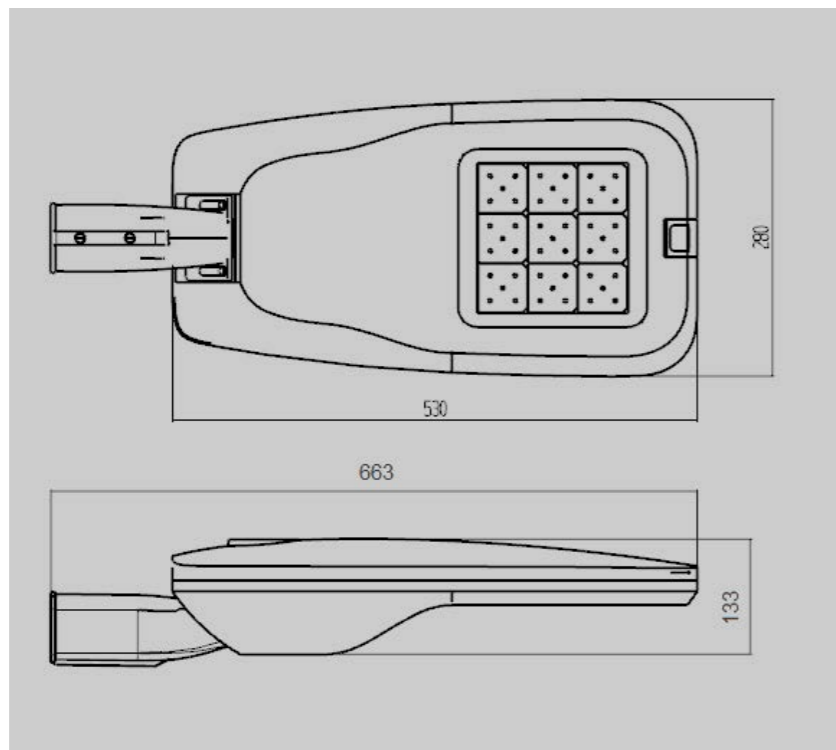
灯体材质: 铝合金压铸成型
 光学部件: 模块式配光透镜, 超白钢化玻璃
 电器板: 电镀锌铁板, 按钮式自动脱卸扣紧器
 电器: 开合断路器连接器
 表面处理: 防紫外线纯聚酯粉喷涂
 安装高度: 4-6m
 固定方式: Ø60钢管侧装或竖装, 角度可调

Description

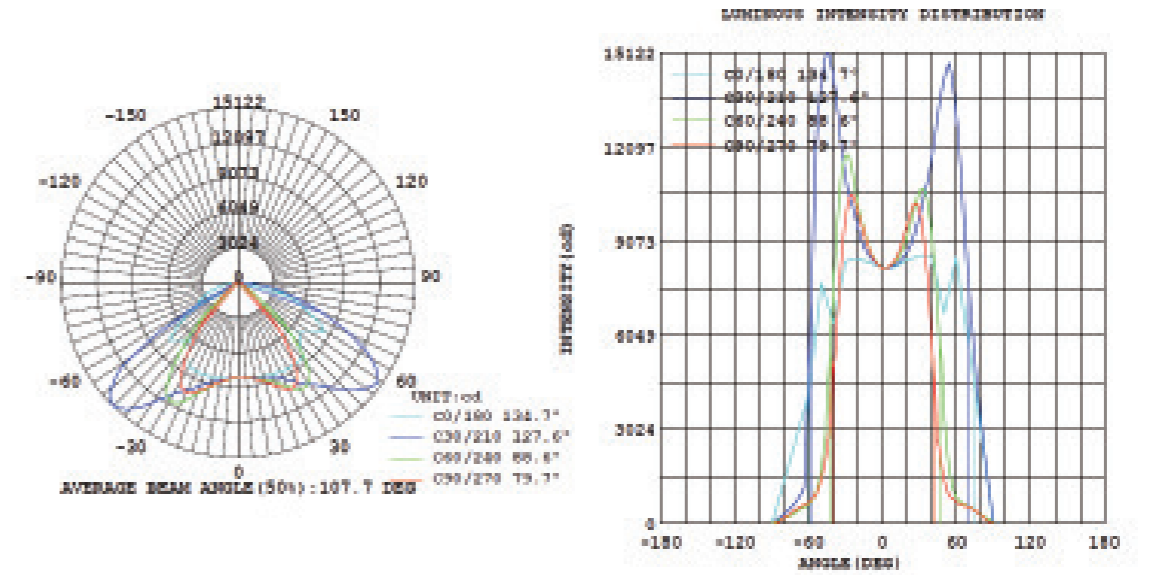
Body: Die-cast aluminium.
 Optical system: Adopt modular light distribution lens, diffuser with super white tempered glass.
 Gear plate: Galvanized steel plate, button design for opened device.
 Electric: Quick on/off connector when be open.
 Finishing: Surface anti-ageing electrostatic spray processing, super resistance to corrosion.
 Assembling height: 4-6m.
 Fixing: Top or side fitting Ø60mm, angle can be adjustable.



尺寸简图 Dimensions



应用透镜 Optical Application



100V-277V 50-60Hz >50000 h 8 LEDs 40 LEDs 50 LEDs 60 LEDs 70 LEDs 80 LEDs

技术参数表 Technology Data

货号 Code	光源 Lamp	功率 Output power	LED颗数 LED Pcs	净重 N.W.(kg)	毛重 G.W.(kg)	包装尺寸 Packing box size (mm)	装箱数量 Quantity in a container	
							Pcs/20"	
KTSL7209-30	LED	30W	30	6.5	7.5	663×290×128	1036	
KTSL7209-40		40W	40	6.5	7.5			
KTSL7209-50		50W	50	6.5	7.5			
KTSL7209-60		60W	60	6.6	7.6			
KTSL7209-70		70W	70	6.6	7.6			
KTSL7209-80		80W	80	6.5	7.5			

KTSL7209M



www.kontakledlight.com

简述

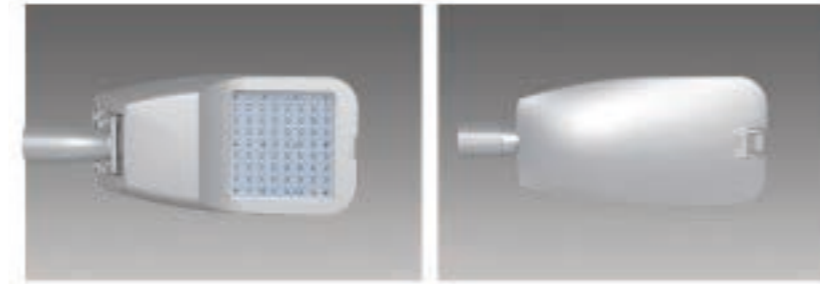
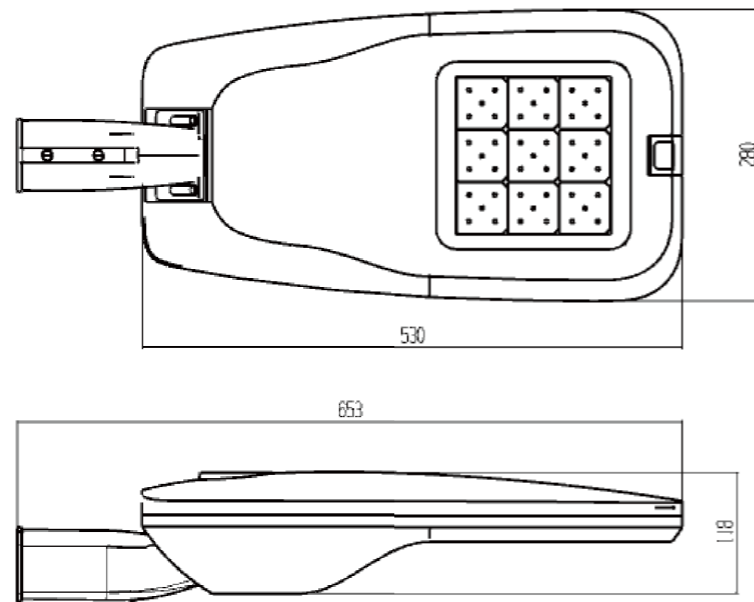
灯体材质: 铝合金压铸成型
 光学部件: 模块式配光透镜, 超白钢化玻璃
 电器板: 电镀锌铁板, 按钮式自动脱卸扣紧器
 电器: 开合断路器连接器
 表面处理: 防紫外线纯聚酯粉喷涂
 安装高度: 4-6m
 固定方式: Ø60钢管侧装或竖装, 角度可调

Description

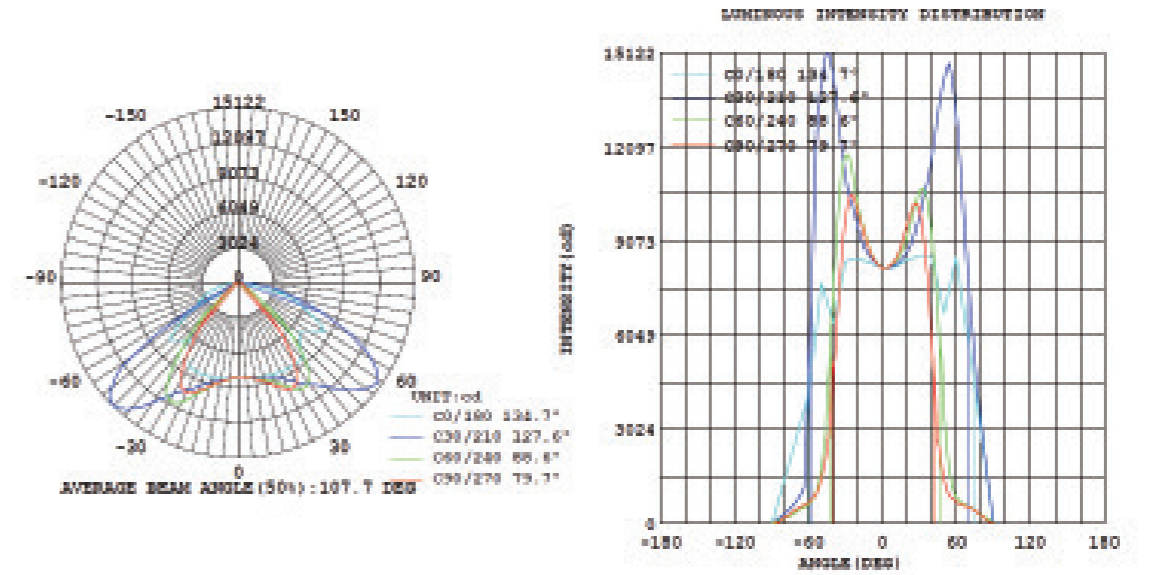
Body: Die-cast aluminium.
 Optical system: Adopt modular light distribution lens, diffuser with super white tempered glass.
 Gear plate: Galvanized steel plate, button design for opened device.
 Electric: Quick on/off connector when be open.
 Finishing: Surface anti-ageing electrostatic spray processing, super resistance to corrosion.
 Assembling height: 4-6m.
 Fixing: Top or side fitting Ø60mm, angle can be adjustable.



尺寸简图 Dimensions



应用透镜 Optical Application



100V-277V 50-60Hz >50000 h 8 LEDs 40 LEDs 50 LEDs 60 LEDs 80 LEDs

技术参数表 Technology Data

货号 Code	光源 Lamp	功率 Output power	LED颗数 LED Pcs	净重 N.W.(kg)	毛重 G.W.(kg)	包装尺寸 Packing box size (mm)	装箱数量 Quantity in a container	
							Pcs/20"	
KTSL7209M-200	LED	80W	80	6.5	7.5	663x290x128	1036	